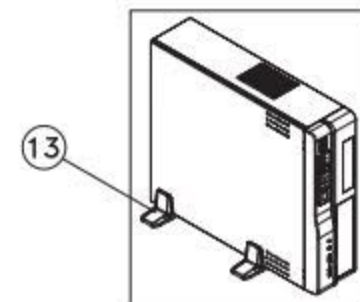





No.	Parts Description
1	FRONT PANEL
2	TOP COVER
3	CHASSIS BASE
4	CD-ROM & F.D.D FRAME
5	CPU PLASTIC FILLER
6	POWER SUPPLY
7	BUZZER HOLDER
8	#6*32 SCREW
9	FAN COVER
10	USB+IR ASSY(OPTION)
11	USB ASSY(OPTION)
12	SWITCH/LED ASSY
13	FOOT STAND
14	AIR DUCT
15	BUZZER HOLDER
16	8CM FAN
17	FAN RETAINER

PARCEL LIST

Diagram	Parts Description	QTY	Diagram	Parts Description	QTY	Diagram	Parts Description	QTY
	I/O PANEL	4		M3*5 SCREW	8		FOOT STAND	4
	#6*32 SCREW	12		#6*32 4.5 SCREW	4			

APD ALDA PRO



NO.	Diagram	Parts Description	Intention
01		#6*32 4.5 SCREW	H.D.D
02		#6*32 HEX SCREW	M/B & PCI SLOT
03		M3*5 SCREW	F.D.D

